

Data sheet

Art.No.: 92.030.3153.1

distributor GST18I3VK2P1TBV SW

gesis® CLASSIC T-distributor, with fastening option to 07.413.6853.1/0, cascadable, number of poles 3, rated voltage 250 V, rated current 20 A, number of inputs 1, number of outputs 2, color of coding/ contact carrier black



Art.No.	92.030.3153.1
EAN	4049088321580
Order Unit	1

certificates / approvals



Technical data

general

rated current	20 A
rated voltage	250 V
rated impulse voltage	4 kV
pollution degree	2
mechanical coding	code 1
lockable	self-locking (unlocking by tool)
color of coding/ contact carrier	black
marking of poles	L, N, PE
RAL-number coding/insert connector	9005

model

number of inputs	1
number of outputs	2
type of fastening	yes
degree of protection (IP)	IP40
type of distributor	T-distributor

material

housing material	polyamide
halogen free	yes
contact material	CuZn
fire load	0.094 kWh/St

insulation components continuous temperature	100 °C
surface finish	tin-plated

dimensions

length	57.3 mm
width	37 mm
height	44.8 mm

classification

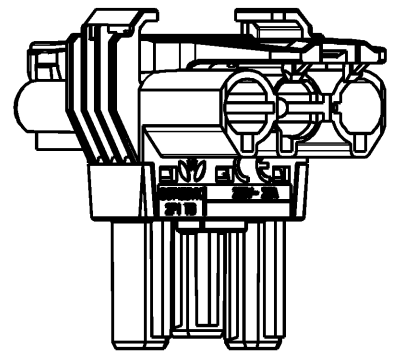
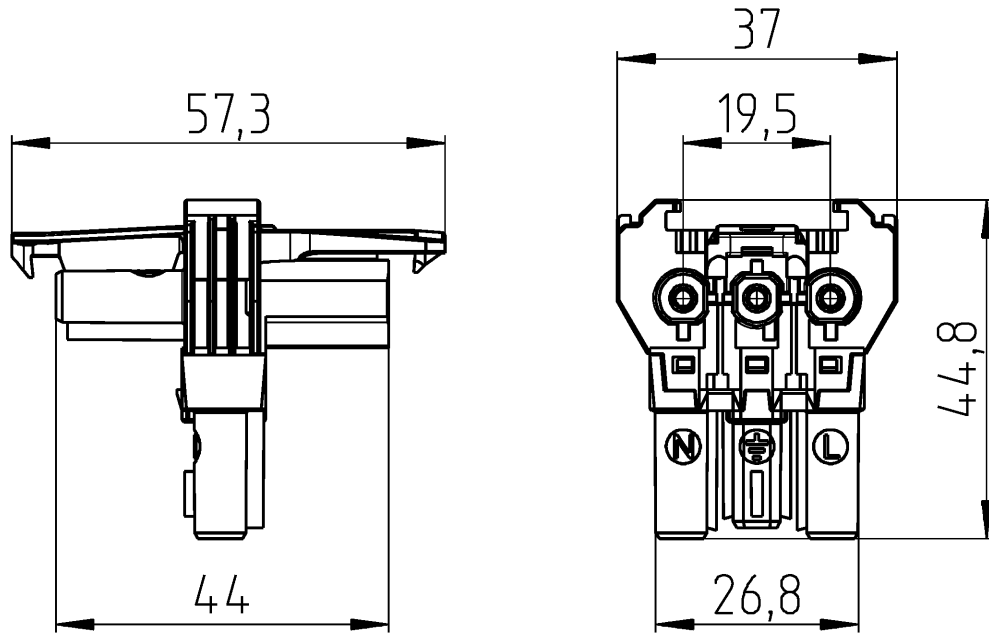
ECLASS 11	
ECLASS 8.1	27440603
ETIM 9.0	EC002567
ETIM 8.0	EC002567
ETIM 7.0	EC002567
ETIM 6.0	EC002567
ETIM 5.0	EC002567
ETIM 4.0	EC002567

product compliance

ROHS conformity status	compliant/exempted
ROHS exceptions	III-6(c)
REACH-SVHC conformity status	Duty-To-Declare
REACH-SVHC substances	Lead
REACH-SVHC CAS numbers	7439-92-1

Accessories

Art.No.:	Article/type description:	Description:
07.413.6853.1	supporting plate GST18 VERTEILER SW	geis®-Mounting plate for GST18-distributors. For fastening to load-bearing, straight surfaces; fixing on cable trays with moulded expanding rivets; lying distributor mounting; color black
05.561.3653.0	cover cap GST18I3VS B WS	Cover piece for female GST18i3, white
05.561.3653.1	cover cap GST18I3VS B SW	Cover piece for female GST18i3, black
05.564.5353.0	cover cap GST18I3/4/5 SW	Cover piece 12 pole black for female parts GST18i3-6
05.564.5353.2	cover cap GST18I3/4/5 WS	Cover piece 12 pole white for female parts GST18i3-6
05.594.4250.0	cover cap ST18/3B + GST18I3 ST WS	
05.594.4253.0	cover cap ST18/3B + GST18I3 ST WS	



Teile-Nr./Part-no.	Farbe/colour	Type
92.030.3153.0	signalweiß/signal white	GST18I3VK2P1TB V WS
92.030.3153.1	tiefschwarz/jet black	GST18I3VK2P1TB V SW

Weitere Daten siehe KATALOG oder eKATALOG. Additional data see CATALOG or eKATALOG. www.wieland-electric.com
eshop.wieland-electric.com

A
 B
 C
 D
 E
 F

These dimensions will be especially checked at delivery
 Only inspection dimensions
 With JE marked dimensions are only valid for internal use

Diese Maße werden bei Abnahme besonders geprüft
 Ausschließlich Prüfmaße
 Mit JE gekennzeichnete Maße sind nur für interne Zwecke gültig

Tolerierung Size ISO 14405 (E) / Tolerance system Size ISO 14405 (E).
 (This ISO-standard describes the envelope principle. According to the envelope principle the deviations of form and parallelism are limited by the size tolerances).
 ja/yes Stoffverbots- und Deklarationsliste nach WN 5020.010 ist einzuhalten.
 Conformity with Wieland document WN 5020.010 e (list of prohibited / declarable hazardous substances) to be declared!

Freitoleranz nach General tolerance CAD - Zeichnung, keine manuellen Änderungen CAD - drawing, no manual modifications allowed 1. Verwendung: First Use: Blatt: 1 von 1 Sheet: of 1

Werkstoff / Material	Tag/Date	Name	Zeichnung Nr. / Drawing No.	Index
	gezeichnet drawn 17.10.2017	Ritter	T 92.030.3153.0 13K	
Maßstab / Scale	geprüft checked		Maße in mm / Dimensions are in mm	
1:1	Normgepr. Stand. check			

Vol.	mm ³	Ofl./Srf.	mm ²	Ersatz für / Replacement for:
				Type
wieland www.wieland-electric.com				VERTEILER distributor_T
Index	Datum / Blatt Date / Sheet			
Änderung / Revision				