

Data sheet

Art.No.: 92.220.0504.1

cable assembly GST18i3K1-S 75 05SW

gesis® CLASSIC connection cable without PE, male - free end, number of poles 2, rated voltage 250 V, rated current 6 A, cable type H05VV-F, fire class Eca, total length 0.5 m, nominal cross section conductor 0.75 mm², color of coding/ contact carrier black



Art.No.	92.220.0504.1
EAN	4049088373756
Order Unit	1

Technical data

general

rated current	6 A
rated voltage	250 V
rated impulse voltage	4 kV
pollution degree	2
mechanical coding	code 1
continuity resistor	11.9 mOhm
lockable	self-locking (unlocking by tool)
color of coding/ contact carrier	black
marking of poles	L, N
color of housing inclusive strain relief	black

model

nominal cross section conductor	0.75 mm ²
degree of protection (IP)	IP40
wire strip length	9 mm
sheath strip length	37 mm
preparation of conductor ends	ultrasonically compressed wire ends
cable type	H05VV-F
cable color	black
cable diameter max.	6.7 mm
version of cable	male - free end
type of cord set	connection cable without PE
version cable end 1	free end
version cable end 2	GST18i3 plug

material

surface finish	tin-plated
halogen free	no
continuous temperature of cable	60 °C
insulation components continuous temperature	100 °C
fire load	0.195 kWh/St
fire class	Eca

dimensions

total length	0.5 m
--------------	-------

classification

ECLASS 11	
ECLASS 8.1	27440604
ETIM 9.0	EC002587
ETIM 8.0	EC002587
ETIM 7.0	EC002587
ETIM 6.0	EC002587
ETIM 5.0	EC002587
ETIM 4.0	EC002587

product compliance

ROHS conformity status	compliant/exempted
ROHS exceptions	III-6(c)
REACH-SVHC conformity status	Duty-To-Declare
REACH-SVHC substances	Lead
REACH-SVHC CAS numbers	7439-92-1

Accessories

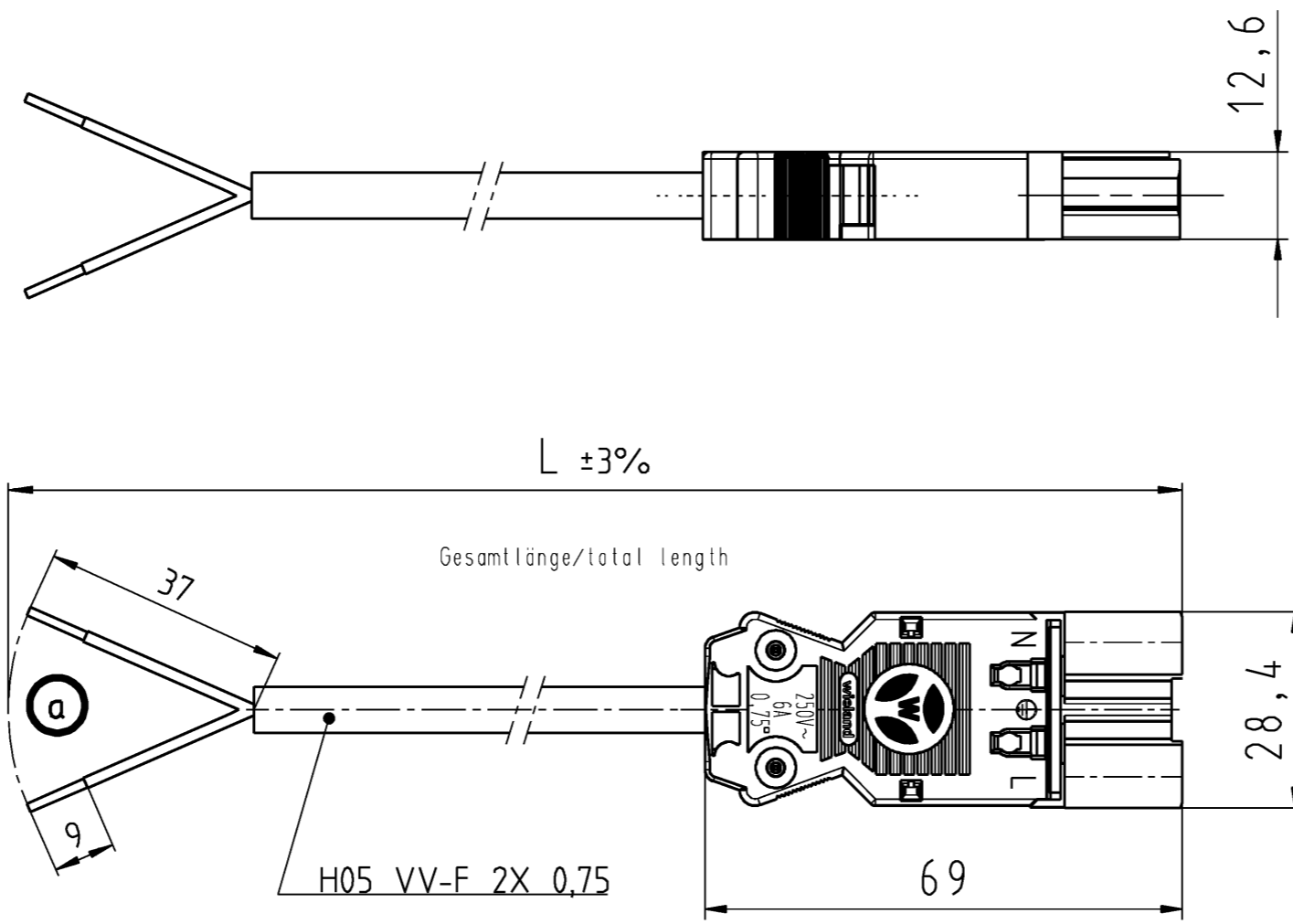
Art.No.:	Article/type description:	Description:
05.587.3156.0	lock (G)ST18 WS	Locking device for cable to cable connection GST18i3-5, white
06.561.7853.0	mounting frame GST18i3 SW	Mounting frame to snap in GST18i3 connectors into a housing or furniture. Wall thickness: 1,5-2,5 mm. Holds GST18i3 connectors with screw or spring connection and pre- assembled cables.
05.561.3653.0	cover cap GST18i3VS B WS	Cover piece for female GST18i3, white
05.561.3653.1	cover cap GST18i3VS B SW	Cover piece for female GST18i3, black
05.564.5353.0	cover cap GST18i3/4/5 SW	Cover piece 12 pole black for female parts GST18i3-6
05.564.5353.2	cover cap GST18i3/4/5 WS	Cover piece 12 pole white for female parts GST18i3-6
05.594.4250.0	cover cap ST18/3B + GST18i3 ST WS	
05.594.4253.0	cover cap ST18/3B + GST18i3 ST WS	
05.587.3156.1	lock (G)ST18 SW	Locking device for cable to cable connection GST18i3-5, black
06.560.0300.0	mounting part GST18i3 SW	Lock system to provide accidental disconnection of "flying connections" and to fix these connections to cable ladders or cable trays. Reduction of shearing forces on the strain reliefs Colour: black

A
 Weitergabe sowie Vervielfältigung dieses Dokuments, Verwertung und Mitteilung seines Inhalts sind verboten, soweit nicht ausdrücklich gestattet.
 The reproduction, distribution and utilization of this document as well as the communication of its contents to others without express authorization is prohibited.

B
 These dimensions will be especially checked at delivery
 Only inspection dimensions
 With /E marked dimensions are only valid for internal use

C
 Diese Maße werden bei Abnahme besonders geprüft
 Ausschließlich Prüfmaße
 Mit /E gekennzeichnete Maße sind nur für interne Zwecke gültig

D
 F
 a



Teile-Nr. part-no.	F = Farbe F = colour	L	Beispiel (Farbe: schwarz) example (colour: black)	Typ type
92.220.XX04.F		XX in dm-Schritten XX in dm-steps	92.220.1004.1 = 10dm/L= 1000mm	GST1813K1-S 75 10SW

Tolerierung Size ISO 14405 © / Tolerance system Size ISO 14405 ©. (This ISO-standard describes the envelope principle. According to the envelope principle the deviations of form and parallelism are limited by the size tolerances).		ja/yes <input checked="" type="checkbox"/> Stoffverbots- und Deklarationsliste nach WN 5020.010 ist einzuhalten. Conformity with Wieland document WN 5020.010 e (list of prohibited / declarable hazardous substances) to be declared!	
Freitoleranz nach General tolerance		CAD - Zeichnung, keine manuellen Änderungen CAD - drawing, no manual modifications allowed	1 Verwendung: First Use:
Blatt: Sheet: 1 von 1 of 1			
Zeichnung Nr. / Drawing No.		Index	
92.220.0204.1 13K		a	
Maße in mm / Dimensions are in mm			
Vol. mm³		Dfl./Srf. mm²	
Ersatz für / Replacement for:			
Type		Benennung/Title	
GST1813		PRE-ASSEMBLED CABLE	
K1-S 75..		KONFEKT.LEITUNG	
		250V AC 6A 0,75qmm	
www.wieland-electric.com			
Änderung / Revision			